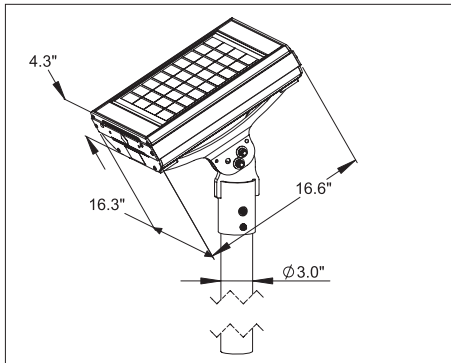


SPECIFICATIONS

SE-10



SOLAR MODULE*

Peak power	10 watts
Current at peak power	0.57 amps
Voltage at peak power	17 volts
Open circuit voltage	21 volts
Short circuit current	0.62 amps
Construction	High efficiency, polycrystalline

MECHANICAL

Housing	Corrosion resistant aluminum
Support bracket	Hardened steel
Finish	Powder coated
Hardware	Stainless steel
Mounting angles	0°, 15°, 30°, 45°, 60°
Effective projected area**	240 in ² (1548 cm ²)
Weight	41 lb (19 kg)

BATTERY*

Nominal Voltage	12 volts
Capacity	17.2 (typical) amp hours
Construction	Maintenance-free, sealed lead acid

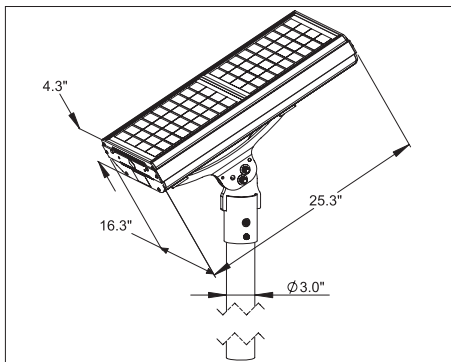
PERIPHERALS

Third-party devices

ENERGY MANAGEMENT SYSTEM

Power management	Unregulated battery voltage
Autonomy	5-15 days typical (determined by load specifications)

SE-20



SOLAR MODULE*

Peak power	20 watts
Current at peak power	1.14 amps
Voltage at peak power	17 volts
Open circuit voltage	21 volts
Short circuit current	1.24 amps
Construction	High efficiency, polycrystalline

MECHANICAL

Housing	Corrosion resistant aluminum
Support bracket	Hardened Steel
Finish	Powder coated
Hardware	Stainless steel
Mounting angles	0°, 15°, 30°, 45°, 60°
Effective projected area**	360 in ² (2322 cm ²)
Weight	62 lb (28 kg)

BATTERY*

Nominal Voltage	12 volts
Capacity	34.4 (typical) amp hours
Construction	Maintenance-free, sealed lead acid

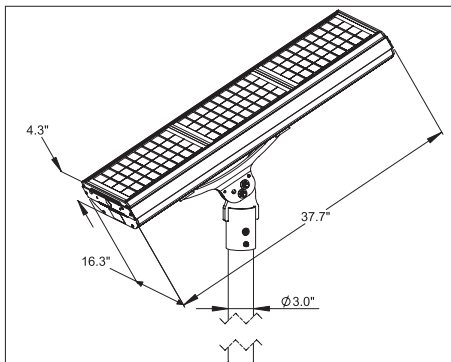
PERIPHERALS

Third-party devices

ENERGY MANAGEMENT SYSTEM

Power management	Unregulated battery voltage
Autonomy	5-15 days typical (determined by load specifications)

SE-30



SOLAR MODULE*

Peak power	30 watts
Current at peak power	1.71 amps
Voltage at peak power	17 volts
Open circuit voltage	21 volts
Short circuit current	1.86 amps
Construction	High efficiency, polycrystalline

MECHANICAL

Housing	Corrosion resistant aluminum
Support bracket	Hardened steel
Finish	Powder coated
Hardware	Stainless steel
Mounting angles	0°, 15°, 30°, 45°, 60°
Effective projected area**	535 in ² (3452 cm ²)
Weight	84 lb (38 kg)

BATTERY*

Nominal Voltage	12 volts
Capacity	51.6 (typical) amp hours
Construction	Maintenance-free, sealed lead acid

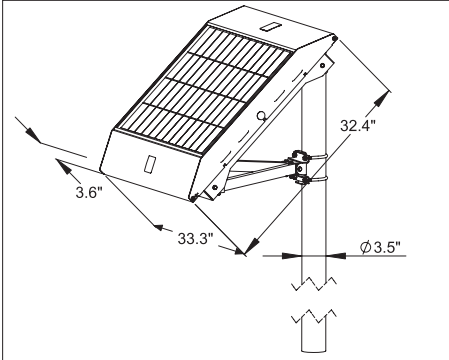
PERIPHERALS

Third-party devices

ENERGY MANAGEMENT SYSTEM

Power management	Unregulated battery voltage
Autonomy	5-15 days typical (determined by load specifications)

SE-50



SOLAR MODULE*

Peak power	50 watts
Current at peak power	3.1 amps
Voltage at peak power	16.0 volts
Open circuit voltage	20.6 volts
Short circuit current	3.4 amps
Construction	High efficiency, polycrystalline

MECHANICAL

Housing	Corrosion resistant aluminum
Support bracket	Hardened steel
Finish	Powder coated
Hardware	Stainless steel
Mounting angle	45°
Effective projected area**	761 in ² (4910 cm ²)
Weight	121 lb (55 kg)

BATTERY*

Nominal Voltage	12 volts
Capacity	51.6 (typical) amp hours
Construction	Maintenance-free, sealed lead acid

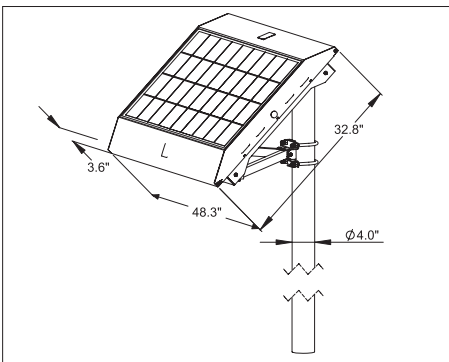
PERIPHERALS

Third-party peripherals

ENERGY MANAGEMENT SYSTEM

Power management	Unregulated battery voltage
Autonomy	5-15 days typical (determined by load specifications)

SE-80



SOLAR MODULE*

Peak power	80 watts
Current at peak power	4.66 amps
Voltage at peak power	17.2 volts
Open circuit voltage	21.6 volts
Short circuit current	5.05 amps
Construction	High efficiency, polycrystalline

MECHANICAL

Housing	Corrosion resistant aluminum
Support bracket	Hardened steel
Finish	Powder coated
Hardware	Stainless steel
Mounting angle	45°
Effective projected area**	1120 in ² (7226 cm ²)
Weight	177 lb (80 kg)

BATTERY*

Nominal Voltage	12 volts
Capacity	86.0 (typical) amp hours
Construction	Maintenance-free, sealed lead acid

PERIPHERALS

Third-party peripherals

ENERGY MANAGEMENT SYSTEM

Power management	Unregulated battery voltage
Autonomy	5-15 days typical (determined by load specifications)

COMMON SPECIFICATIONS

ENVIRONMENTAL

Operating temperature range	Standard: -5 to 122 °F (-15 to 50 °C) Extended: -40 to 176 °F (-40 to 80 °C)
Wind load	Steady wind speed not to exceed 110 mph (177 km/h) Gust wind speed not to exceed 143 mph (230 km/h)
Shock	10 g's
Vibration	1 Hz, 12" amplitude, 20 years
Outdoor rated	
Direct sunlight required	

QUALITY STANDARDS

Quality certification	ISO 9001:2000 Certified Manufacturer
-----------------------	--------------------------------------

WARRANTY

12-month limited warranty on system (excluding batteries)

* Specification made at STC, +/- 10%
**EPA measured at steepest mounting angle.

Specifications may be subject to change. Carmanah Technologies Corporation assumes no liability for third party products and services used in the installation of this product and work performed by third party service providers. Purchasers are advised that the security and strength of any product installation will be dependent upon the type of pole upon which the product is mounted, the footing, the fasteners and materials in fixing the product to the pole and site conditions.

Carmanah Technologies Corp.
Toll Free: 1.877.722.8877 (US & Canada)
Worldwide: +1.250.380.0052
Fax: +1.250.389.0040
Website: carmanah.com

Carmanah is a Canadian public corporation
TSX: CMH

© 2008 Carmanah Technologies Corp.
"Carmanah" and Carmanah logo are trademarks of Carmanah Technologies Corp.
Document: SPC_EverGEN Solar Engine_vD

